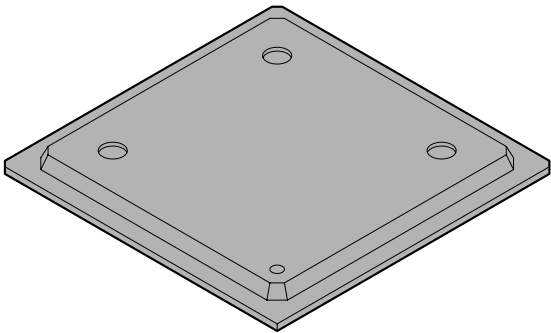
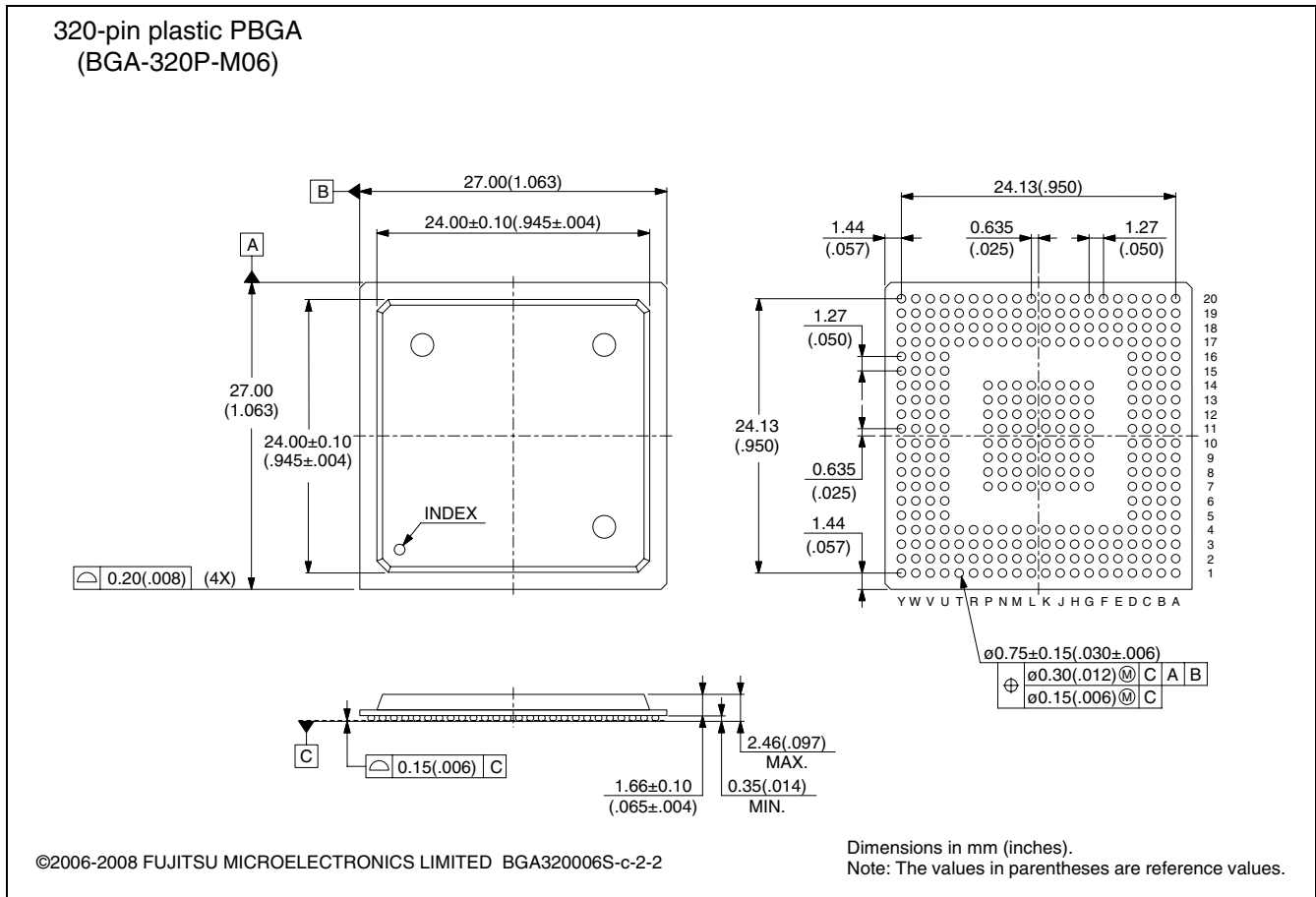


BGA-320P-M06

<p>320-pin plastic PBGA</p>  <p>(BGA-320P-M06)</p>	Lead pitch	1.27 mm
	Package width × package length	27.00 mm × 27.00 mm
	Lead shape	Ball
	Sealing method	Plastic mold
	Mounting height	2.46 mm Max
	Weight	2.90 g



The contents of this document are subject to change without notice.
Customers are advised to consult with FUJITSU MICROELECTRONICS (FML) sales representatives before ordering.
FML is unable to assume responsibility for infringement of any patent rights or other rights of third parties arising from the use of the information or package dimensions in this document.